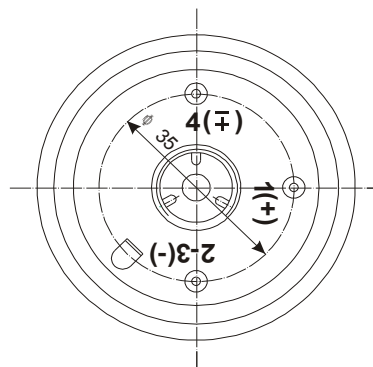
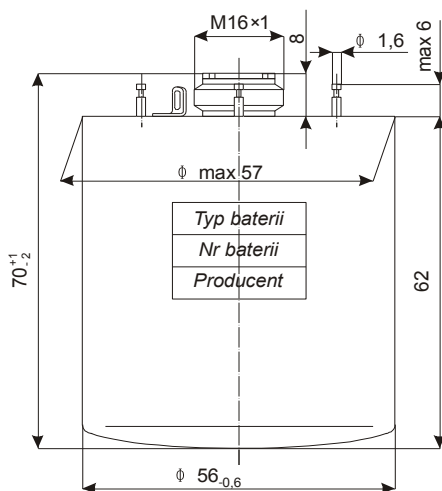


THERMAL BATTERY

BTR-05

(NSN 613530013816)



Technical data

Battery nominal voltage: battery terminal 1(+) - 2,3 (-)	40 ± 4V
in circuit I - terminal 1(+) - 4(-)	28 ± 2,8V
in circuit II - terminal 4(+) - 2,3(-)	12 ± 1,2V
Current intensity:	~ 2A at 20 Ω
Activation time:	max. 1s or 1,3s (depending on the operating temperature)
Operating temperature:	from -50°C to +55°C
Operating time:	min. 30s
Weight:	max. 450g
Storage time:	10,5 years

Application

- Rocket control systems power source.