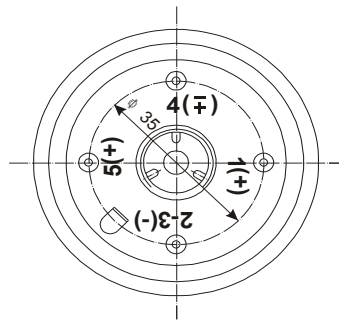
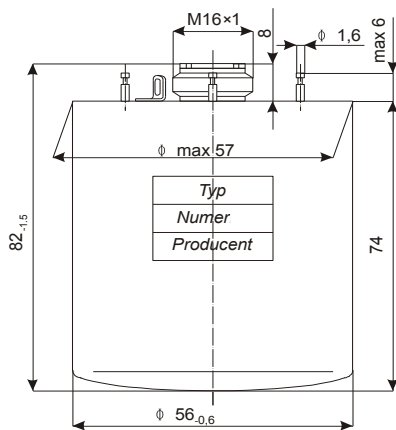


THERMAL BATTERY

BTR-03

(NSN 6135430013815)



Technical data

Battery nominal voltage:	in circuit I terminal 1(+) - 4 (-)	20 \pm 2,5V
	in circuit II - terminal 4(+) - 2-3(-)	20 \pm 2,5V
	in circuit III - terminal 5(+) - 4(-)	5 \pm 0,5V
Current intensity:	~2 and 3 A - circuits I and II at 10,25 and 6,89 Ω	
	~1 and 1,4 A - circuit III at 5 and 3,57 Ω	
Activation time:	max. 1s or 1,3s (depending on the operating temperature)	
Operating temperature:	from -50°C to +50°C	
Operating time:	min. 31s	
Weight:	max. 500g	
Storage time:	13 years	

Application

- Rocket control systems power source.