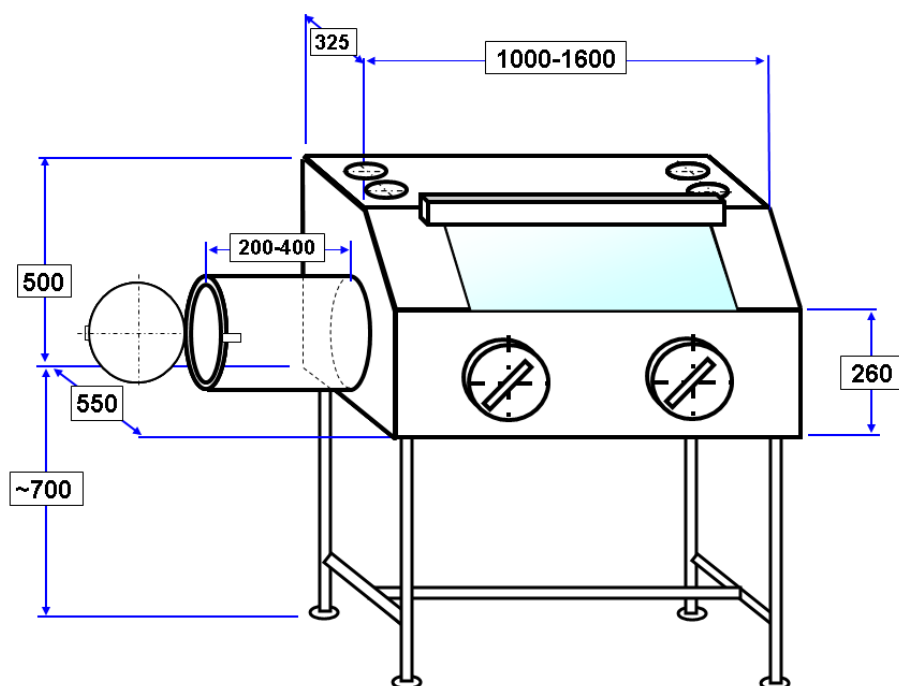


SINGLE STAND GLOVE BOX

GLOVE BOX BASIC DRAFT



Technical data:

- Our glove boxes are custom-designed.
- The type, dimensions and glove box equipment as well as the number and dimensions of locks depend on the customer requirements and are set directly with the client.